

E Screen | WITH **KOOLBLACK**[™] TECHNOLOGY



Our New Dark Fabrics Know How to Resist Heat
Less heat. Less glare. Just cool.

MERMET

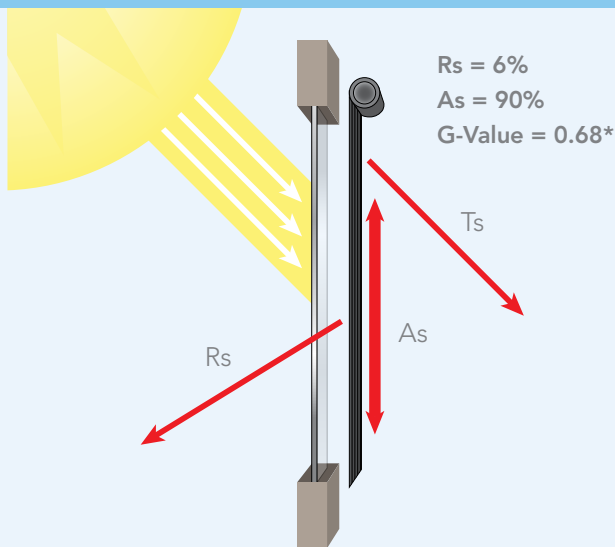
Fabrics for Life[™]

Patented technology.

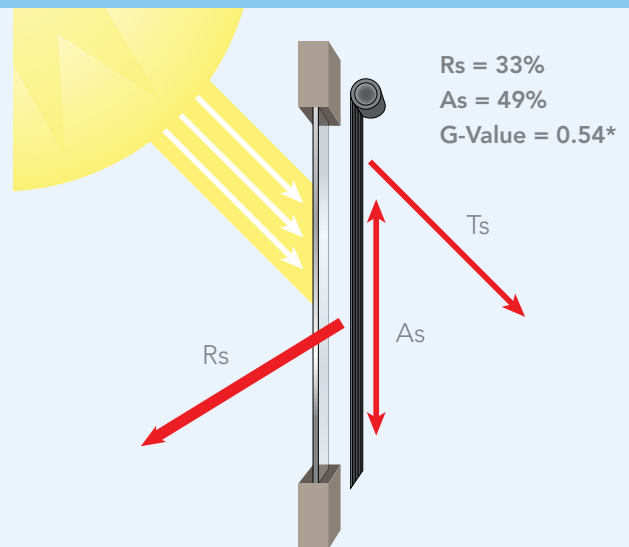
What is KOOLBLACK™ Technology?

KOOLBLACK™ Technology is a patented technology that enhances dark colored yarn's energy reflectivity by increasing its near infrared reflection (NIR).

While conventional dark screen fabric provides superior view through and exceptional glare control, it absorbs the energy that is created by near infrared wavelength. KOOLBLACK™ Technology enables the fabric to reflect more solar heat, therefore, absorb less energy.



Conventional Dark Color Solar Screen

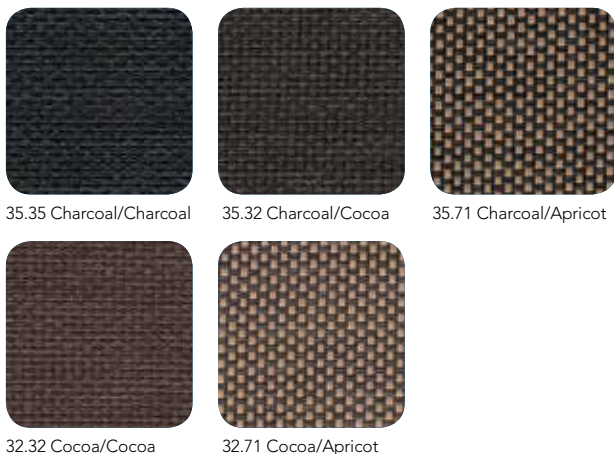


E Screen with KOOLBLACK™ Technology

*Clear single glaze glass

G-Value or Solar Heat Gain Coefficient (SHGC) is a measurement of how effective a glazing system (glass + window shade) is blocking solar heat. The lower the G-Value, the higher the heat reflection which equals less solar heat transmittance.

Rs = Solar Reflectance • As = Solar Absorbance • Ts = Solar Transmittance



3% & 5% Openness
Transparent • Interior

FR Class:
NFPA 701-10 TM #1, CA U.S. Title 19

Environmental Benefits:
GREENGUARD® Children & Schools
Oeko-Tex 100 Certified
RoHS - Lead Free
ASTM G21 Fungal Resistance
ASTM E2180 Microbial Resistance

Ten Year Warranty

Standard Widths:
98" (250 cm), 122" (310 cm)



Reduces heat. Saves energy.

KOOLBLACK™ Technology at Work

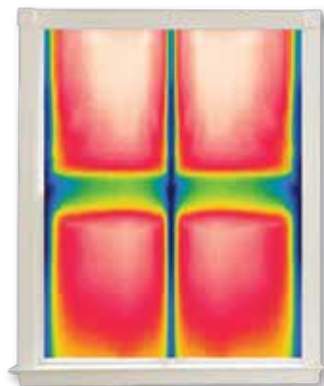
KOOLBLACK™ Technology increases the energy efficiency of **dark** solar shade fabrics to the levels comparable with light colors! Only **dark** solar shade fabrics with KOOLBLACK™ Technology provide exceptional glare control, comfortable view through and elegant streetside aesthetics while reducing heat.



E Screen with KOOLBLACK™ Technology is Cooler at the Window & Reduces the Solar Heat Gain Coefficient up to 21%

E Screen Original

5% Charcoal/Charcoal East facing window 10:00 am SC USA in April

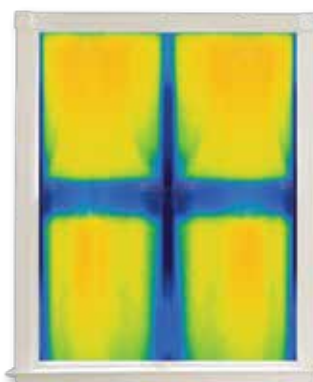


136° F / 57.8° C

- superior view through
- coordinated exterior building design
- exceptional glare control

E Screen with KOOLBLACK™ Technology

5% Charcoal/Charcoal East facing window 10:00 am SC USA in April



118° F / 47.8° C

- superior view through
- coordinated exterior building design
- exceptional glare control

&

- reflects NIR solar energy
- improved heat control
- increased energy savings

Item#	Style Name	Ts	Rs	As	Tv	SC		
						¼" CL	CL-S	DG
30.30	Charcoal/Charcoal	4	6	90	4	0.78	0.68	0.55

Item#	Style Name	Ts	Rs	As	Tv	SC		
						¼" CL	CL-S	DG
35.35	Charcoal/Charcoal	18	33	49	6	0.61	0.54	0.46

*The fenestration property tests were conducted in accordance with EN 14501:2005, ASTM 891, ASTM E903-96; Shading Coefficient (SC), Solar Heat Gain Coefficient (SHGC), Solar Transmittance (Ts), Solar Reflectance (Rs), Solar Absorptance (As), Visible Light Transmittance (Tv); ¼ (6 mm) Clear Glass (CL); 4 mm Clear Glass, Single Glazing (CL-S); Double Glazing 4 mm/16 mm/4 mm with low E-coating in position 3, space filled with Argon (DG); SC calculation: SHGC CL-S / 0.87. For performance specifications, and larger samples, contact the Mermet Marketing Department: info@mermetusa.com • www.mermetusa.com

Perfect commercial solution.

E Screen with KOOLBLACK™ Technology and E Screen Original

The combination of E Screen with KOOLBLACK™ Technology and E Screen Original in coordinating colors, achieves a seamless exterior design appearance and cost savings solution for commercial applications.



where

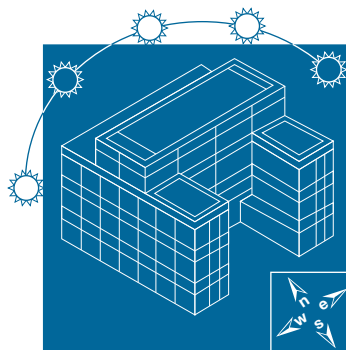
Eastern & Western Exposures

what

E Screen with KOOLBLACK™ Technology

why

Improved Comfort & Energy Savings



where

Northern & Southern Exposures

what

E Screen Original

why

Value Offering & Seamless Coordination

MERMET

5970 N. Main Street • Cowpens, SC 29330 • Sales Department: Ph (866) 902-9647 • Fax (866) 902-8522
info@mermetusa.com • www.mermetusa.com

© 2012, Mermet Corporation, All rights reserved, US and Foreign patents pending.